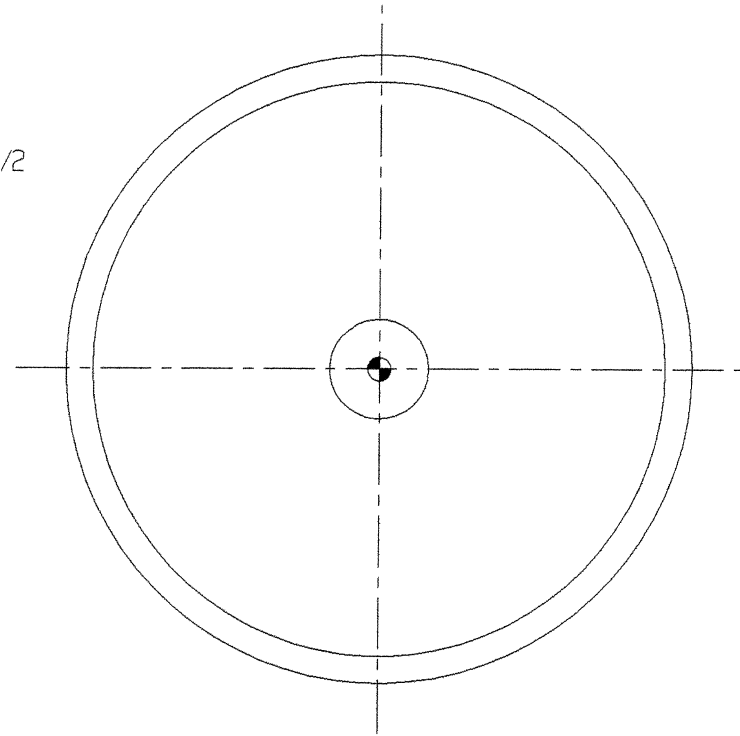
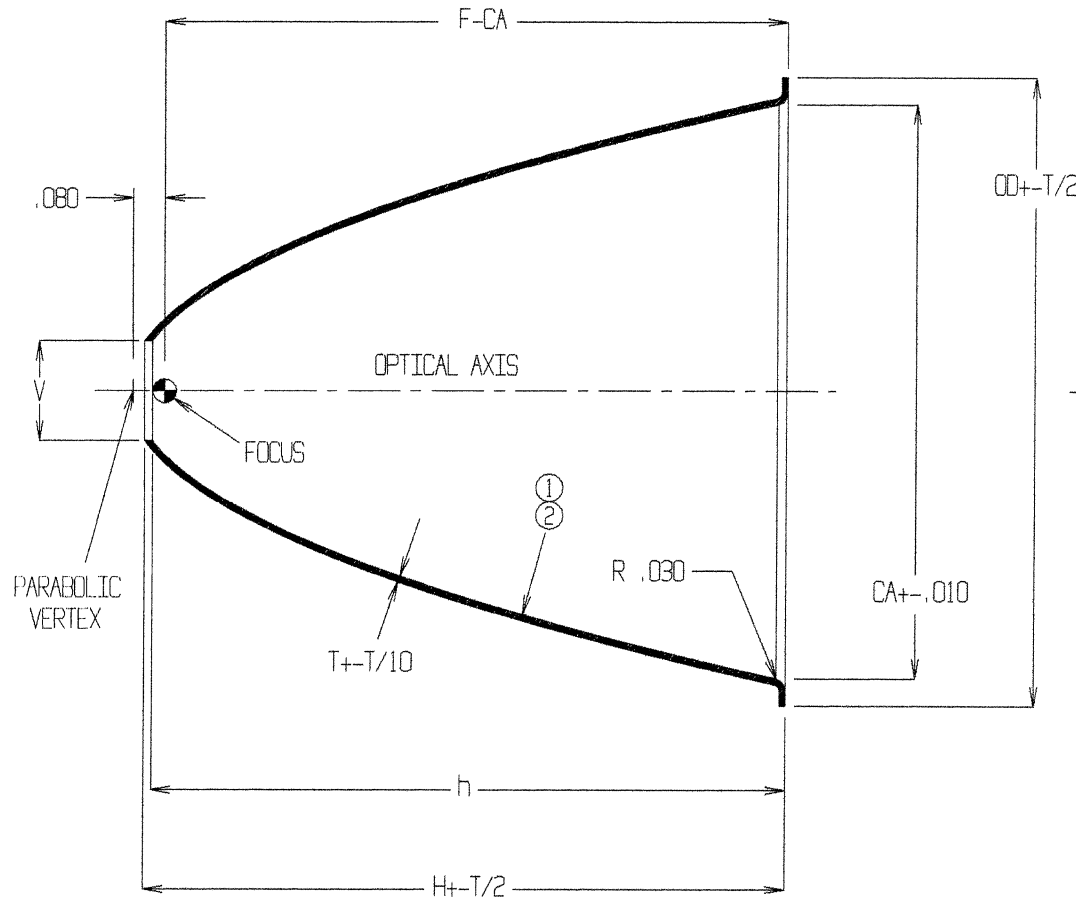


ALL CONCEPTS CONTAINED WITHIN THIS DRAWING ARE PROPRIETARY TO PHOENIX ELECTROFORMED PRODUCTS, INC.  
AND MAY NOT BE CONVEYED TO THIRD PARTIES WITHOUT WRITTEN CONSENT

REVISIONS				
ZONE	REV	DESCRIPTION	DATE	APPROVED



NOTE: P= VERTEX APERTURE PARALLEL TO OPTICAL AXIS  
NOTE: FP= VERTEX APERTURE PARALLEL TO FOCAL PLANE

.03	.250	1.440	1.575	1.613	1.594	.015	1.563	P
.02	.320	1.250	1.281	1.141	1.141	.015	1.141	FP
.01	.320	1.440	1.575	1.563	1.563	.015	1.563	FP
#	V	CA	OD	H	h	T	F-CA	NOTE

PARABOLIC EQUATION  
 $Y^2=4FX$  F= .080

- ① SURFACE FINISH 80-50 SCRATCH-DIG PER MIL-D-13830A
- ② AVAILABLE REFLECTIVE ENHANCEMENT COATINGS:  
 AU ELECTRO-DEPOSITED GOLD  
 AF VACUUM DEPOSITED ALUMINUM / MAGNESIUM FLUORIDE (MgF<sub>2</sub>) OVERCOAT  
 AD VACUUM DEPOSITED ALUMINUM / QUARTZ (SiO<sub>2</sub>) OVERCOAT  
 RH ELECTRO-DEPOSITED BRIGHT RHODIUM

UNLESS OTHERWISE SPECIFIED DIMENSIONS ARE IN INCHES FRACTIONS 1/16 1/8 3/16 1/4 5/16 3/8 7/16 1/2 5/8 3/4 7/8 1	DECIMALS .001 .002 .005 .010 .015 .020 .030 .040 .050 .060 .070 .080 .090 .100 .125 .150 .175 .200 .250 .300 .375 .450 .500	ANGLES 1/2 1/4 1/8 1/16 1/32 1/64	MATERIAL ELECTROFORMED NICKEL	<b>PHOENIX</b> ELECTROFORMED PRODUCTS, INC.	
FINISH 63 ✓ UNLESS OTHERWISE SPECIFIED	CONTRACT NO.	APPROVALS		DATE	TITLE PARABOLIC REFLECTOR PA18
DO NOT SCALE DRAWING	DESIGN ACT12V11	DRAWN LB	CHECKED	4-15-15	SIZE CASE CODE DWG NO PA18 REV
				SCALE	SHEET